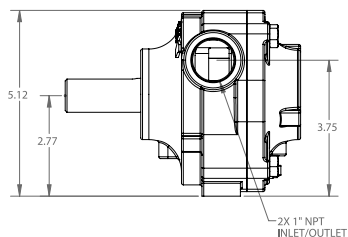
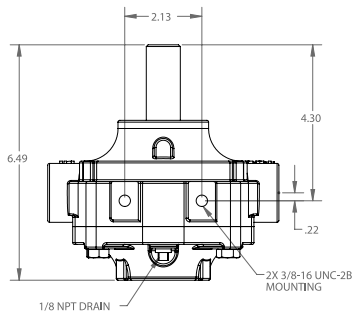
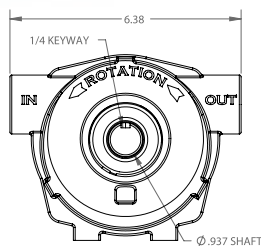


RollerPRO

Roller Pumps



7900 Series

7900C – 22.5 GPM Pump/ Cast Iron

7900DSS – 22.5 GPM Pump/ Diamond Stainless Steel

Pump:

Type: 7-roller design

Max Pressure: 200 PSI

Max Recommended Temperature: 140°F

Port Size: 1" FNPT

Mounting:

Base Mounted: 3/8"– 18UNC-2B (2 holes)

PTO: Use Torque Bar and Chain

Weight: 14 lbs

Materials of Construction:

Pump Housing: Cast Iron or Stainless Steel

Rollers: 3/4" Ultra Rollers

Shaft Seals: Viton cartridge type lip seals

Shaft & Rotor: C Extra-fine finish 404 SST

DSS: Extra-fine finish 416 SST

Bearings: Permanently-lubricated, heavy-duty sealed bearings

7900 Series Performance

PSI	540 RPM	650 RPM	850 RPM
0	15.2	17.7	22.5
20	14.5	17.0	21.8
40	13.6	16.2	21.0
100	12.0	15.0	20.0
200	10.0	13.9	18.0